

SONY

Hi-Fi Products
Service Bulletin

Sony Service Company - Technical Services
A Division of Sony Corporation of America
Sony Drive, Park Ridge, New Jersey 07656

Model: CDP-C400/C401/C500

No. 88

Subject: Part Number For BU Bracket and
Transit Lock

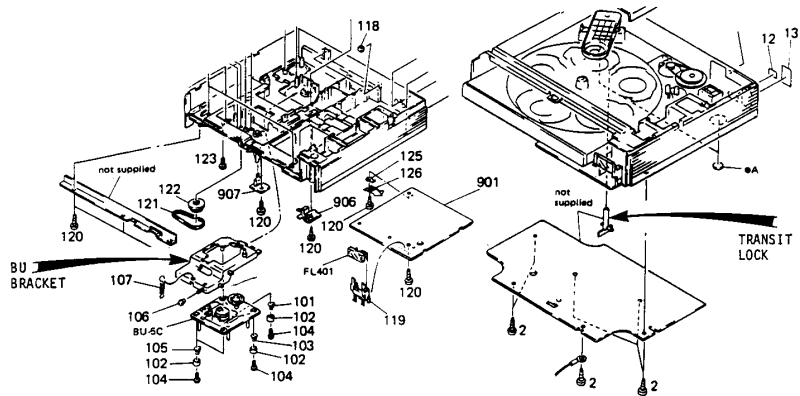
Date: October 13, 1989

Symptom:
(**)

The part number for the BU bracket and transit lock are not listed in the service manual.

Solution: Please add the following part number to your service manual:

Description	Part Number
BU Bracket	4-930-504-03
Transit Lock	4-930-510-01



Reference: **A890952**

PRINTED IN U.S.A.
CSA-13989-2

CSA-13 Compact Disc